

# Model 800AJ

## ARTICULATING BOOM LIFTS



### MORE ECONOMIC

- Lower hydrocarbon, carbon monoxide, particulate and NOx emissions with Stage IIIB-compliant engine.

### MORE PRODUCTIVE

- Equipped with hydrostatic drive for easy, precise, infinitely-variable-speed manoeuvrability. Go from ground to over 26 m in under 50 seconds and enjoy industry best reach envelope with exclusive QuikStik® boom.

### MORE ACCESS

- Conquer rough terrain with standard oscillating axle and four-wheel drive, delivering optimised grip and stability.

### SMART DESIGN

- Customer-preferred controls mean fewer buttons and switches used to position the platform and less time spent learning to use the platform controls.



### Standard Features

- 0.91 m x 1.83 m low mount platform
- Side entry with drop bar mid rail
- Multiple function operation
- Full proportional drive joystick control with integral thumb steer switch
- Full proportional main boom and swing joystick control
- Multiple speed control for telescope, lower boom and platform rotate
- Selectable creep speed on drive / lift and swing functions
- 1.83 m articulating jib
- 180 degree powered platform rotator
- Platform console machine status light panel <sup>1</sup>
- Load sensing system
- AC power cable to platform
- Engine distress warning /shut down system <sup>2</sup>
- Gull-wing turntable hoods
- Four wheel drive
- Oscillating front axle
- 4 degree tilt alarm and indicator light
- Load sensing boom function pump
- Ground control selector switch with key lock
- 12V-DC auxiliary power
- Lifting/tie down lugs
- Hour meter
- Platform tool tray
- QuikStik® boom design
- Low fuel engine cut-out
- Cast Aluminum Control Box
- Horn
- Hydrostatic drive transmission
- Swing-out engine tray
- Interactive Display at Ground Controls
- Control ADE® Advanced Design Electronics System
- JLG Skyguard active system

<sup>1</sup> Provides indicator lights at platform control console for system distress, low fuel, tilt light, and foot switch status.

<sup>2</sup> Low oil pressure and high coolant temperature alarms with shut-down enabled/disabled by analyser.

### Standard Specifications

Power Source	
• Diesel Engine <sup>3</sup>	Deutz TD 2.9 L4 50kW
• Fuel Tank Capacity	151 L
Hydraulic System	
• Hydraulic Reservoir	261 L
• Auxiliary Power	12V DC
Tyres	
• Tyres	18 - 625 Foam Filled

<sup>3</sup> With EGR.

<sup>4</sup> Only available with four wheel drive on models 600A and 600AJ with 2.4m wide chassis and 800A and 800AJ.

<sup>5</sup> Available when integrated with the SkyPower® package

<sup>6</sup> Consists of six 40-watt lights, four turntable mounted lights and two platform mounted lights.

<sup>7</sup> Includes all-motion alarm and flashing amber beacon.

<sup>8</sup> Includes platform mounted work lights and head & tail lights.

<sup>9</sup> Includes console cover, boom wipers and cylinder bellows.

### Accessories & Options

- 0.91 m x 2.44 m slide bar side entry platform
- 0.91 m x 2.44 m Self closing inward swing gate
- 13 mm air line to platform
- Four wheel steer/Two wheel steer/ Crab steer <sup>4</sup>
- On-board 4,000W generator
- SkyPower® package 7,500 watt on-board generator
- SkyWelder® package 250 amp welder in the platform <sup>5</sup>
- Nite-Bright® package <sup>6</sup>
- Tow package
- All motion alarm
- Alarm package <sup>7</sup>
- Light package <sup>8</sup>
- Head and tail lights
- Flashing amber beacon
- Euro Plug & Socket
- Hostile environment kit <sup>9</sup>
- Hydraulic oil cooler
- Soft Touch 0.91 m x 1.83 m Platform Proximity System
- Soft Touch 0.91 m x 2.44 m Platform Proximity System
- Skyguard beacon (ILOS)
- Non Mark foam filled 18-625 Tyres
- Arctic package
- Generator hourmeter
- Synthetic Biodegradable Hydraulic Oil
- Platform worklights
- Special paint colour
- Two Wheel Drive

# Model 800AJ

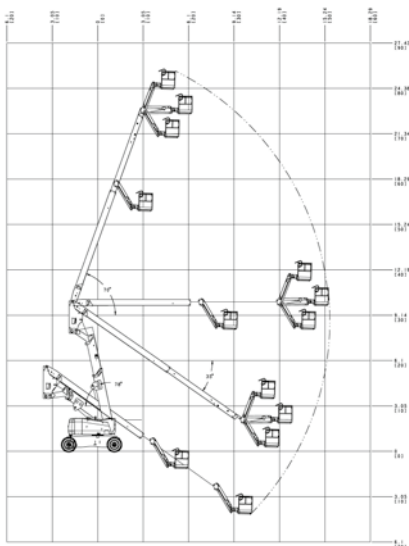
## ARTICULATING BOOM LIFTS

### Performance

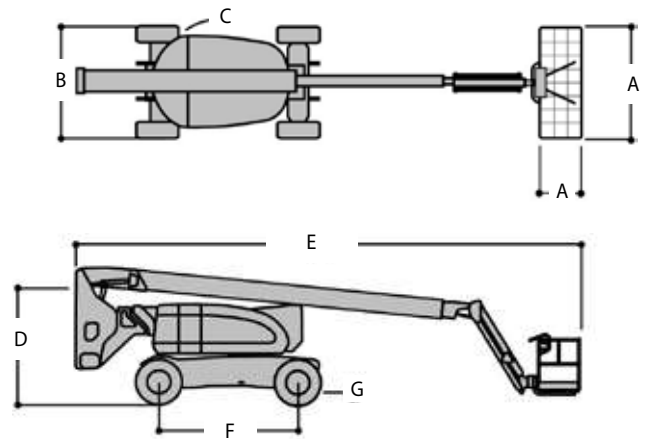
• Working Height	26.38 m
• Platform Height	24.38 m
• Working Outreach	16.45 m
• Horizontal Outreach	15.80 m
• Up and Over Height	9.78 m
• Swing (Continuous)	360°
• Platform Capacity – Unrestricted	230 kg
• Platform Rotator (Hydraulic)	180°
• Jib – Overall Length	1.83 m
• Jib – Range of articulation	130° (+70°/-60°)
A. Platform Size	0.91 m x 1.83 m
B. Overall Width	2.49 m
C. Tailswing – working condition	0.76 m
D. Stowed Height	3.00 m
E. Stowed Length	11.13 m
F. Wheelbase	3.05 m
G. Ground Clearance	0.28 m
• Machine weight <sup>1</sup>	16,110 kg
• Maximum Ground Bearing Pressure	5.60 kg/cm <sup>2</sup>
• Drive Speed 2WD	4.8 km/h
• Drive Speed 4WD	4.8 km/h
• Gradeability 2WD	30%
• Gradeability 4WD	45%

<sup>1</sup> Certain options or country standards may increase weight and/or dimensions.

### Reach Diagram



### Dimensions



### IMPORTANT

JLG is continually researching and developing products and reserves the right to make modifications without prior notice. All data in this document is indicative. Certain options or country standards will increase weight. Specifications may change to meet country standards or with the addition of optional equipment.

Due to continuous product improvements, JLG Industries reserves the right to make specification and/or equipment changes without prior notification.



### JLG EMEA BV

Polaris Avenue 63  
2132 JH Hoofddorp  
The Netherlands  
Phone: +31 (0)23 565 5665  
[www.jlg.com](http://www.jlg.com)

An Oshkosh Corporation Company